

**iQ300, free-standing freezer,
186.2 x 59.5 cm, Brushed steel
anti-fingerprint
GS36NVICG**



Included accessories	
1 x ice cube tray	
Optional accessories	
KS39ZAL00	Connection set inox

The freestanding freezer with Total noFrost for no more manual defrosting, startling capacity to effortlessly stock items and LED lighting to find items easily.

- ✓ Side by side combination: Seamless design, expanded space, and modern style.
- ✓ bigCapacity: Generous storage space, making meal prep and organization a breeze.
- ✓ doorAlarm: Reminds you to close the door and keep the cold inside.
- ✓ Metal backwall: The perfect combination of elegance and functionality for your kitchen.
- ✓ No distance: Place your fridge or freezer directly against the wall or in a niche without a gap.

Features

Technical Data

Energy Efficiency Class (Regulation (EU) 2017/1369):	C
Average annual energy consumption in kilowatt hour per year (kWh/a) (EU) 2017/1369:	171 kWh/annum
Sum of volume of frozen compartments (EU 2017/1369):	334 l
Airborne acoustical noise emissions (EU 2017/1369): ...	35 dB(A) re 1pW
Airborne acoustical noise emission class (EU 2017/1369):	B
Built-in / Free-standing:	Free-standing
Frost free system:	Fridge and freezer
Width of the appliance:	595 mm
Depth of the product:	663 mm
Dimensions of the packed product (HxWxD):	1940x665x790 mm
Warning signal / malfunction:	Both visual and audible
Cover door installation system:	Not applicable
Number of drawers/baskets (Stck):	4
Number of freezing flaps (Stck):	0
Lockable door:	No
Thermometer freeze section:	Not applicable
Length electrical supply cord:	240 cm
Door hinge:	Right reversible
Net weight:	81.0 kg
Gross weight:	87.2 kg
Multi-Flow Air Tower:	No
Economy setting:	Yes
:	Yes
Door bin adjustability - Freezer:	No
Tilt-out door bins in freezer:	No
Door bin adjustability - Freezer:	No
Reversible Door Hinge:	Yes
Frequency:	50 Hz
Installation typology:	Freestanding
Energy Star Qualified:	No
Plug type:	Gardy plug w/ earthing
Required cutout/niche size for installation (in):	x
Dimensions of the packed product:	76.37 x 26.18 x 31.10
Net weight:	179.000 lbs
Gross weight:	192.000 lbs
Included accessories:	1 x ice cube tray



iQ300, free-standing freezer, 186.2 x 59.5 cm, Brushed steel anti-fingerprint GS36NVICG

Features

Performance and consumption

- Energy Class EU19_EEK_D: C
- Annual Energy Consumption: EU19_Annual energy cons rd_D: 171 kWh/a
- Climate class: EU19_Climate class_D: SN-T
- Fast freeze facility: yes
- Noise level: EU19_Noise emission_D: 35 dB

Design

- door external material: inox look premium
- casing color: pearl grey matt
- light, softstart GS
- light freezer,top
- material backwall in freezer: Metal

Comfort and Safety

- Home Connect Ecosystem
- full no frost
- MultiAirflow
- flex door
- mode, sabbath: yes
- mode, economy: yes
- number of temperatur zones: 1
- display type: 7 Segment
- door alarm freezer
- mode, super freeze: manual activating
- 90°door opening drawer removal
- side-by-side capable : can be placed alongside

Freezer Section

- Net Freezer Volume:
- EU19_Frozen volume_D: 334 l
- Freezing capacity 24h: EU19_Freezing capa. in 24h_D: 16 kg
- Temperature rise time : 14 H
- drawer FR,small,full,no.: 4
- Big Box: 1
- glass shelf RF,full,no.: 3

Dimensions

- Appliance Dimensions (H x W x D): 1862 mm x 595 mm x 663 mm

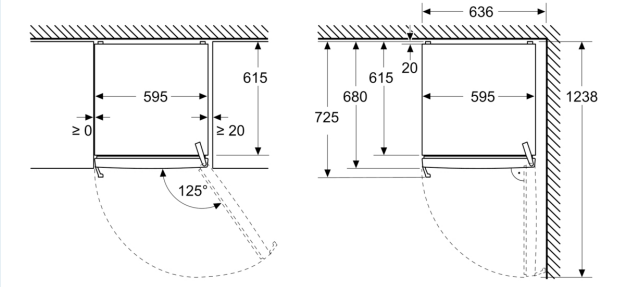
Technical Information

- nominal voltage min: 220 V - nominal voltage max: 240 V
- length of mains cable in mm: 2400 mm

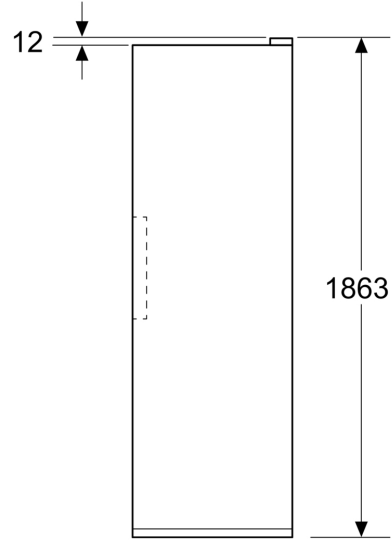
**iQ300, free-standing freezer,
186.2 x 59.5 cm, Brushed steel
anti-fingerprint
GS36NVICG**

Dimensioned drawings

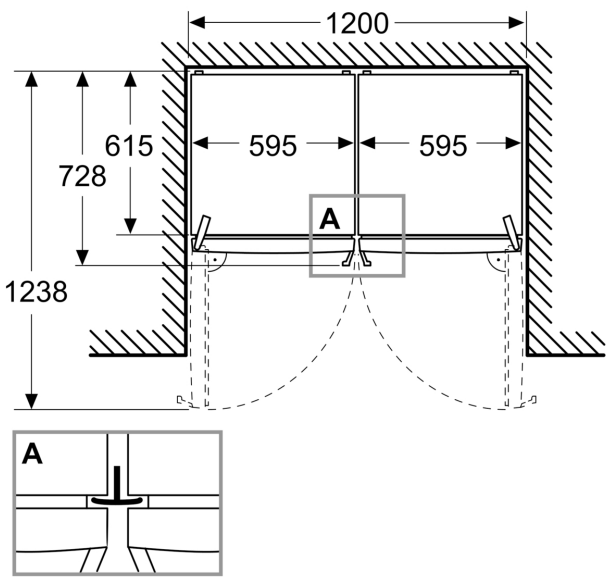
Measurements in mm



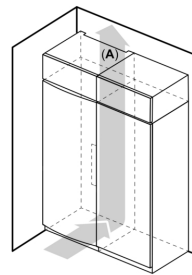
Measurements in mm



Measurements in mm



A: Air outlet $\geq 200 \text{ cm}^2$



B: Air outlet $\geq 200 \text{ cm}^2$

