

## iQ300, free-standing freezer, 186.2 x 59.5 cm, White GS36NVWCG



The freestanding freezer with Total noFrost for no more manual defrosting, startling capacity to effortlessly stock items and LED lighting to find items easily.

- ✓ Side by side combination: Seamless design, expanded space, and modern style.
- ✓ bigCapacity: Generous storage space, making meal prep and organization a breeze.
- ✓ doorAlarm: Reminds you to close the door and keep the cold inside.
- ✓ Metal backwall: The perfect combination of elegance and functionality for your kitchen.
- ✓ No distance: Place your fridge or freezer directly against the wall or in a niche without a gap.

### Features

#### Technical Data

Energy Efficiency Class (Regulation (EU) 2017/1369): .....	C
Average annual energy consumption in kilowatt hour per year (kWh/a) (EU) 2017/1369: .....	171 kWh/annum
Sum of volume of frozen compartments (EU 2017/1369): .....	334 l
Airborne acoustical noise emissions (EU 2017/1369): ...	35 dB(A) re 1pW
Airborne acoustical noise emission class (EU 2017/1369): .....	B
Built-in / Free-standing: .....	Free-standing
Frost free system: .....	Fridge and freezer
Width of the appliance: .....	595 mm
Depth of the product: .....	663 mm
Dimensions of the packed product (HxWxD): .....	1940x665x790 mm
Warning signal / malfunction: .....	Both visual and audible
Cover door installation system: .....	Not applicable
Number of drawers/baskets (Stck): .....	4
Number of freezing flaps (Stck): .....	0
Lockable door: .....	No
Thermometer freeze section: .....	Not applicable
Length electrical supply cord: .....	240 cm
Door hinge: .....	Right reversible
Net weight: .....	80.4 kg
Gross weight: .....	86.7 kg
Multi-Flow Air Tower: .....	No
Economy setting: .....	Yes
: .....	Yes
Door bin adjustability - Freezer: .....	No
Tilt-out door bins in freezer: .....	No
Door bin adjustability - Freezer: .....	No
Reversible Door Hinge: .....	Yes
Frequency: .....	50 Hz
Installation typology: .....	Freestanding
Energy Star Qualified: .....	No
Plug type: .....	Gardy plug w/ earthing
Required cutout/niche size for installation (in): .....	x
Dimensions of the packed product: .....	76.37 x 26.18 x 31.10
Net weight: .....	177.000 lbs
Gross weight: .....	191.000 lbs
Included accessories: .....	1 x ice cube tray



Included accessories
1 x ice cube tray
Optional accessories
KS39ZAW00 Connection set white

## iQ300, free-standing freezer, 186.2 x 59.5 cm, White GS36NVWCG

### Features

#### Performance and consumption

- Energy Class EU19\_EEK\_D: C
- Annual Energy Consumption: EU19\_Annual energy cons rd\_D: 171 kWh/a
- Climate class: EU19\_Climate class\_D: SN-T
- Fast freeze facility: yes
- Noise level: EU19\_Noise emission\_D: 35 dB

#### Design

- door external material: character white
- casing color: character white
- light, softstart GS
- light freezer,top
- material backwall in freezer: Metal

#### Comfort and Safety

- Home Connect Ecosystem
- full no frost
- MultiAirflow
- flex door
- mode, sabbath: yes
- mode, economy: yes
- number of temperatur zones: 1
- display type: 7 Segment
- door alarm freezer
- mode, super freeze: manual activating
- 90°door opening drawer removal
- side-by-side capable : can be placed alongside

#### Freezer Section

- Net Freezer Volume:
- EU19\_Frozen volume\_D: 334 l
- Freezing capacity 24h: EU19\_Freezing capa. in 24h\_D: 16 kg
- Temperature rise time : 14 H
- drawer FR,small,full,no.: 4
- Big Box: 1
- glass shelf RF,full,no.: 3

#### Dimensions

- Appliance Dimensions (H x W x D): 1862 mm x 595 mm x 663 mm

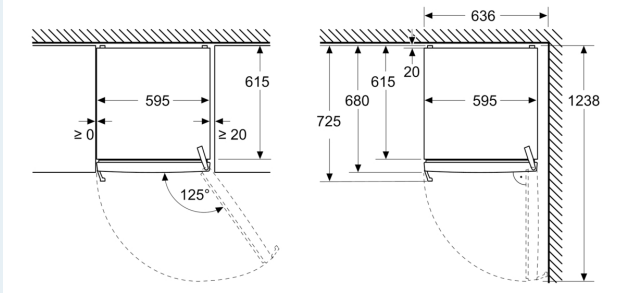
#### Technical Information

- nominal voltage min: 220 V - nominal voltage max: 240 V
- length of mains cable in mm: 2400 mm

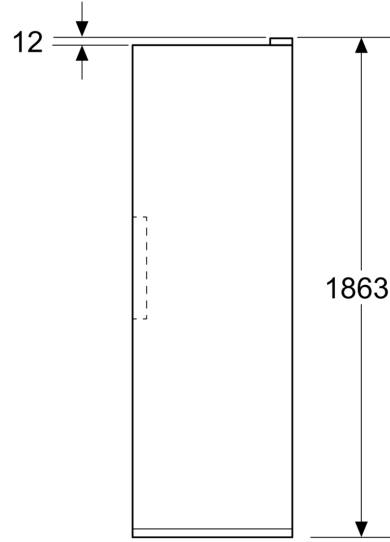
iQ300, free-standing freezer,  
186.2 x 59.5 cm, White  
GS36NVWCG

Dimensioned drawings

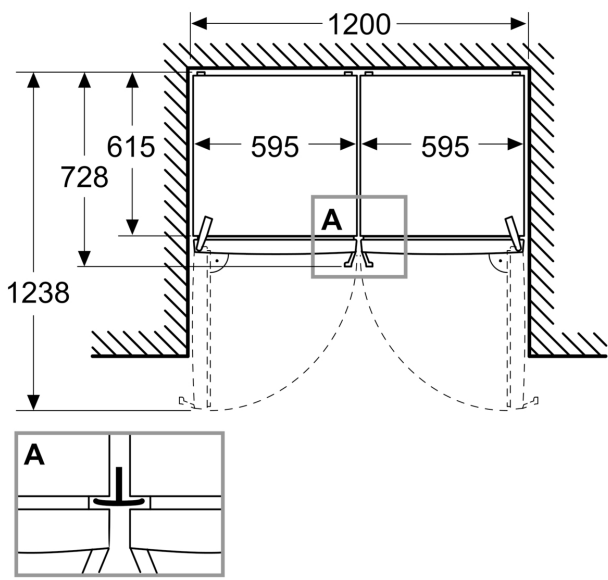
Measurements in mm



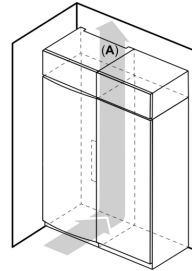
Measurements in mm



Measurements in mm



A: Air outlet  $\geq 200 \text{ cm}^2$



B: Air outlet  $\geq 200 \text{ cm}^2$

