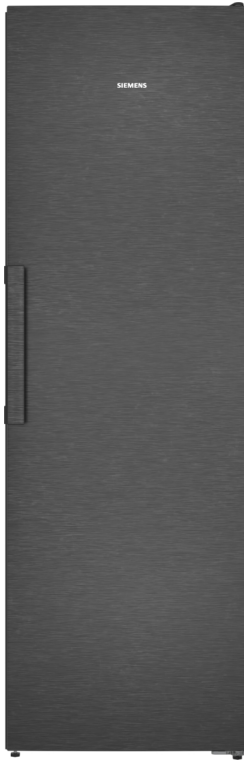


**iQ300, free-standing freezer,
186.2 x 59.5 cm, Brushed black
steel anti-fingerprint
GS36NVXCG**



The freestanding freezer with Total noFrost for no more manual defrosting, startling capacity to effortlessly stock items and LED lighting to find items easily.

- ✓ Side by side combination: Seamless design, expanded space, and modern style.
- ✓ bigCapacity: Generous storage space, making meal prep and organization a breeze.
- ✓ doorAlarm: Reminds you to close the door and keep the cold inside.
- ✓ Metal backwall: The perfect combination of elegance and functionality for your kitchen.
- ✓ Noise Class B: The quiet appliances are not louder than rustling leaves.

Features

Technical Data

Energy Efficiency Class (Regulation (EU) 2017/1369):C
Average annual energy consumption in kilowatt hour per year (kWh/a) (EU) 2017/1369: 171 kWh/annum
Sum of volume of frozen compartments (EU 2017/1369): 334 l
Airborne acoustical noise emissions (EU 2017/1369):	... 35 dB(A) re 1pW
Airborne acoustical noise emission class (EU 2017/1369): B
Built-in / Free-standing: Free-standing
Color / Material body: cast iron grey metallic
Frost free system:Fridge and freezer
Width of the appliance: 595 mm
Depth of the product: 663 mm
Dimensions of the packed product (HxWxD):1940x665x790 mm
Warning signal / malfunction: Both visual and audible
Cover door installation system: Not applicable
Number of drawers/baskets (Stck): 4
Number of freezing flaps (Stck): 0
Lockable door:No
Thermometer freeze section: Not applicable
Length electrical supply cord: 240 cm
Door hinge:Right reversible
Net weight: 80.0 kg
Gross weight: 86.2 kg
Multi-Flow Air Tower: No
Economy setting:Yes
: Yes
Door bin adjustability - Freezer: No
Tilt-out door bins in freezer:No
Door bin adjustability - Freezer: No
Reversible Door Hinge: Yes
Frequency:50 Hz
Installation typology: Freestanding
Energy Star Qualified: No
Plug type: Gardy plug w/ earthing
Required cutout/niche size for installation (in): x
Dimensions of the packed product: 76.37 x 26.18 x 31.10
Net weight: 176.000 lbs
Gross weight: 190.000 lbs
Included accessories:1 x ice cube tray

Included accessories

1 x ice cube tray

Optional accessories

KS39ZAX00 Connection set cast iron



iQ300, free-standing freezer, 186.2 x 59.5 cm, Brushed black steel anti-fingerprint GS36NVXCG

Features

Performance and consumption

- Energy Class EU19_EEK_D: C
- Annual Energy Consumption: EU19_Annual energy cons rd_D: 171 kWh/a
- Climate class: EU19_Climate class_D: SN-T
- Fast freeze facility: yes
- Noise level: EU19_Noise emission_D: 35 dB

Design

- door external material: dark inox
- casing color: cast iron grey metallic
- light, softstart GS
- light freezer,top
- material backwall in freezer: Metal

Comfort and Safety

- Home Connect Ecosystem
- full no frost
- MultiAirflow
- flex door
- mode, sabbath: yes
- mode, economy: yes
- number of temperatur zones: 1
- display type: 7 Segment
- door alarm freezer
- mode, super freeze: manual activating
- 90°door opening drawer removal
- side-by-side capable : can be placed alongside

Freezer Section

- Net Freezer Volume:
- EU19_Frozen volume_D: 334 l
- Freezing capacity 24h: EU19_Freezing capa. in 24h_D: 16 kg
- Temperature rise time : 14 H
- drawer FR,small,full,no.: 4
- Big Box: 1
- glass shelf RF,full,no.: 3
- ice cube twister: no

Dimensions

- Appliance Dimensions (H x W x D): 1862 mm x 595 mm x 663 mm

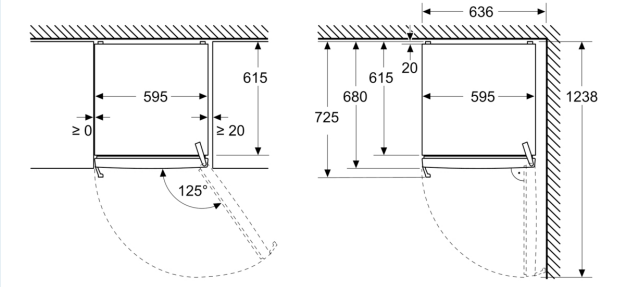
Technical Information

- nominal voltage min: 220 V - nominal voltage max: 240 V
- length of mains cable in mm: 2400 mm

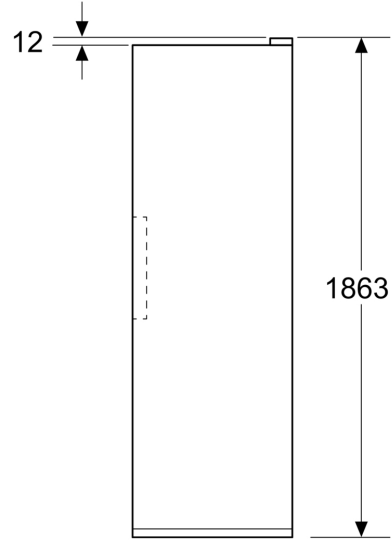
**iQ300, free-standing freezer,
186.2 x 59.5 cm, Brushed black
steel anti-fingerprint
GS36NVXCG**

Dimensioned drawings

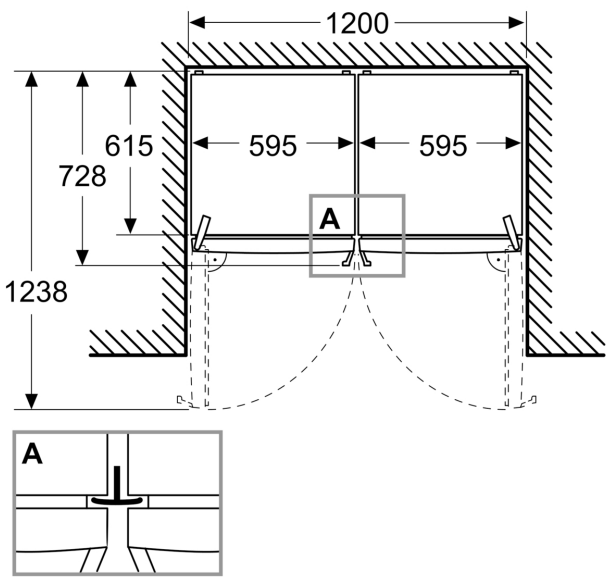
Measurements in mm



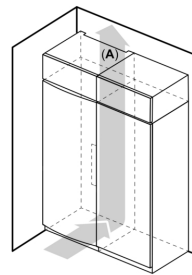
Measurements in mm



Measurements in mm



A: Air outlet $\geq 200 \text{ cm}^2$



B: Air outlet $\geq 200 \text{ cm}^2$

