



JOIN

FOR THOSE WHO DARE

**ROG**

**STRIX XG129C SERIES**

**Gaming Monitor**

**ASUS**

# Contents

Declaration .....	iii
Security Information .....	v
Maintenance and Cleaning .....	ix
Recycling Services .....	x
1.1 Thank you for using!.....	1-1
1.2 List of Items .....	1-1
1.3 Assembling Monitors .....	1-2
1.4 Connecting Cables.....	1-3
1.4.1 Rear of LCD monitors .....	1-3
1.4.2 Connecting USB Monitor and System .....	1-4
1.5 Brief Introduction of Monitor .....	1-5
1.5.1 Using Control Buttons .....	1-5
2.1 Adjusting the Monitor.....	2-1
2.2 Outline Dimensions .....	2-2
3.1 OSD (on-screen display) Menu.....	3-1
3.1.1 How to Reconfigure .....	3-2
3.1.2 Introduction to OSD Functions.....	3-3
3.2 Specification.....	3-9
3.3 Troubleshooting (FAQs) .....	3-10
3.4 List of Supported Clock .....	3-11

Copyright © 2025 ASUSTeK COMPUTER INC. All rights reserved.

Except for the documents reserved by the purchaser for backup purposes, any part of this manual, including the products and software introduced therein, shall not be copied, disseminated or transcribed in any form or by any means, nor shall it be stored in the retrieval system or translated into any language without the express written permission of ASUSTeK COMPUTER INC (hereinafter referred to as "ASUS").

Under any of the following circumstances, the user can't be entitled to the product warranty or maintenance service : (1) Repair, modify or change the product without the written authorization of ASUS; (2) The serial number of the product is damaged or missing.

ASUS provides this manual "as is" without any express or implied warranty, including but not limited to implied warranties or conditions of merchantability or applicability to a particular purpose. Under no circumstances shall ASUS, its directors, officers, employees or agents be responsible for any indirect, special, accidental or inevitable losses (including income loss, business loss, failure to use or data loss, business interruption, etc.) caused by any defects or errors in this manual or products, even if ASUS has been informed of the possibility of such losses.

The specifications and information contained in this manual are for general reference only, and may be changed at any time without further notice, therefore it shall not constitute a commitment of ASUS. ASUS is not responsible for any errors that may exist in this manual (including the products and software introduced herein).

The product names and company names appearing in this manual may or may not be the registered trademarks or copyrights of the corresponding companies, respectively, and are only used for marking or explanation purposes, with no intention of infringing the rights and interests of their owners.

# Declaration

## Federal Communications Commission Declaration

This device meets the requirements of Part 15 of *FCC* rules. Its operation meets the following two conditions:

- This device may not cause harmful interference.
- This device must be able to withstand any interference received, including interference that may lead to abnormal operation.

This device has been tested and found to comply with the limits for a Class *B* digital device, pursuant to Part 15 of *FCC* Rules. These limits are designed to provide reasonable protection against harmful interference for installation in residential areas. This device may generate, use and can radiate radio frequency energy and, if not installed and used in accordance with the instructions, may cause harmful interference to radio communications. However, there is no guarantee that interference will not occur under specific installation conditions. If this device causes harmful interference to radio or TV reception (which can be determined by powering off and on the device), users are advised to take one or more of the following measures to eliminate the interference:

- Reorient or relocate the receiving antenna.
- Increase the distance between the device and the receiver.
- Connect this device and the receiving device to power sockets of different circuits.
- Consult an agent or an experienced radio/TV technician for help.



To make sure compliance with *FCC* regulations, shielded cables are required to connect the monitor and the graphic card. If this device is changed or modified without the explicit permission of the party responsible for compliance, it may disqualify the user from operating this device.

---

## Declaration of Canadian Ministry of Communications

This digital device does not exceed the Class *B* limit of radio noise emission of digital device specified in the Radio Interference Regulations of the Canadian Ministry of Communications.

This Class *B* digital device meets the requirements of Canada *ICES-003*.

This Class *B* digital device meets all requirements of "Interference Sources Regulations of Canada".

*Cet appareil numérique de la classe B respecte toutes les exigences du Règlement sur le matériel brouiller du Canada.*

## Statement of Compliance

This device meets the requirements stipulated in the Council Directive on coordinating and unifying the laws of member countries in terms of electromagnetic compatibility (2014/30/EU), low voltage directive (2014/35/EU), regulation (EU)2024/1781 and RoHS directive (2011/65/EU). This product has been tested and proved to comply with the coordination standards related to information technology devices, which are issued in accordance with the directives of the official gazette of the European Union.

## WEEE symbolic declaration

This symbol on the product or its packaging means that the product shall not be discarded along with other household garbage. It is your responsibility to send your discarded device to a special recycling site for the recycling of discarded electrical and electronic devices. Recycling your discarded device separately will help to save natural resources and ensure that it is recycled in a way that protects personal health and environmental protection. For more information about the recycling agencies for discarded devices, please contact local municipal agencies, domestic waste disposal agencies, or sales stores of this product.



## Safety information

- Before setting up this monitor, please read all the documents attached in the product packaging carefully.
- In order to prevent fire or electric shock, do not expose this monitor to rain or moisture.
- Do not open the enclosure of this monitor. Dangerous high voltage exists in the monitor, which may result in serious personal injury.
- In case of power failure, do not attempt to repair it by yourself. Please contact a professional technical service person or the dealer.
- Before using this product, make sure that all cables are connected correctly and the power cord is not damaged. If there is any damage, please contact the dealer immediately.
- The grooves and openings on the rear and top of the enclosure are designed for ventilation. Do not cover these openings. Do not place this product on the top of or near radiators or heat sources unless the area is well ventilated.
- This monitor can only use the type of power supply indicated on the label. If you are unsure about the type of power supply at your home, please contact the dealer or local power company.
- Use a power plug that complies with your local power standards.
- Do not overload the power board or extension cable. Overload may result in fire or electric shock.
- Avoid dust, humidity and extreme temperatures. Do not place this monitor in any area where it may be subject to moisture. Place the monitor on a stable surface.
- In case of thunderstorm or when not in use for a long period, unplug the power cord of the device. This prevents damage to the monitor caused by voltage mutation.
- Do not insert any foreign objects or splash any liquid into the openings on the enclosure of this monitor.
- Sockets shall be installed close to the device for your convenience to use.
- If you encounter any technical problems in using this monitor, please contact professional service personnel.
- Before connecting the power plug to the power source, a ground connection must be provided. To disconnect the ground, be sure to unplug the power cord from the power source first.
- Please confirm that the power distribution system shall provide a circuit breaker with a rated value of *120/240V, 20A* (maximum) when this product is installed in buildings.
- If the power cord is provided with a 3-pin plug, please plug the power cord into a grounded 3-hole socket. Do not disable the grounding tab of the power cord, for example, connect the 2-tab adapter. Grounding tab is an important safety measure.

## Stability hazard

- Once this product falls, it may cause serious personal injury or even death. To avoid injury, this product must be firmly installed on the floor/wall according to the installation instructions.
- Once this product falls, it may cause serious personal injury or even death. In order to avoid many injuries (especially to children), some simple preventive measures can be taken, such as:
- Be sure to use cabinets or shelves or installation methods recommended by the product manufacturer.
- Be sure to use furniture that can safely support this product.
- Do not allow this product on the edge of its supporting furniture.
- Be sure to explain to children the dangers of climbing furniture to reach this product or for its control.
- Be sure to lay the cables connected to this product properly to prevent them from tripping people, being pulled or squeezed.
- Do not put this product in an unstable place.
- Do not place this product on tall furniture (for example, cabinet or bookcase) unless the furniture and product are fixed on a suitable support.
- Never place cloth or other items between this product and the supporting furniture.
- Never place items such as toys and remote controls on the top of this product or the furniture supporting this product, as they may attract children to climb.
- If the existing product needs to be kept and relocated, the above precautions are also applicable.

ASUS CONTACT INFORMATION		
ASUSTeK Computer Inc.	ASUS Computer International (America)	ASUS Computer GmbH (Germany and Austria)
Address 1F., No. 15, Lide Rd., Beitou Dist., Taipei City 112, Taiwan	Address 48720 Kato Rd, Fremont, CA 94538, USA	Address Harkortstr. 21-23, D-40880 Ratingen, Germany
Telephone +886-2-2894-3447	Telephone +1-510-739-3777	Telephone +49-1805-010920
Fax +886-2-2894-7798	Fax +1-510-608-4555	Website <a href="http://www.asus.de/">http://www.asus.de/</a>
E-mail <a href="mailto:info@asus.com.tw">info@asus.com.tw</a>	Website <a href="http://usa.asus.com/">http://usa.asus.com/</a>	Online Contact <a href="http://www.asus.de/sales">http://www.asus.de/sales</a>
Website <a href="http://www.asus.com.tw/">http://www.asus.com.tw/</a>		
Technical Support	Technical Support	Technical Support
Telephone +86-21-38429911	Telephone +1-812-282-2787 (English Only)	Telephone +49-1805-010923
	Telephone +1-905-370-2787 (French Only)	Support Fax +49-2102-959911
	Online Support <a href="http://support.asus.com/">http://support.asus.com/</a>	Online Support <a href="http://support.asus.com/">http://support.asus.com/</a>

## Warning

Use of other handsets or earphones may cause hearing loss due to excessive sound pressure.

If the sound pressure of earphones is too high, it will lead to hearing loss. Adjusting the equalizer to the maximum value will increase the output voltage of the earphones, thus increasing the sound pressure.

Do not dispose of electrical appliances as unsorted municipal waste; use separate collection facilities instead.

For information on collection systems available, contact your local government.

If electrical appliances are disposed of in landfills or dumps, hazardous substances may leak into groundwater, enter the food chain, and harm human health and well-being.

When purchasing new appliances, retailers are legally obligated to recycle old appliances free of charge for proper disposal.

## Environmental conditions (during operation)

Temperature	During working	0°C ~ 40°C
Humidity	During working	10% to 85% (non-condensing)
Altitude	During working	0 ~ 5000 m(0 ~ 16404 ft)

## Names and contents of harmful substances in the product:

Component name	Harmful substances									
	Plumbum (Pb)	Mercury (Hg)	Cadmium (Cd)	Hexavalent chromium (Cr+6)	Polybrominated biphenyl (PBBs)	Polybrominated biphenyl ether (PBDEs)	Di-2-ethylhexyl phthalate (DEHP)	Benzyl butyl phthalate (BBP)	Di-n-butyl phthalate (DBP)	Diisobutyl phthalate (DIBP)
Printed circuit boards and their electronic components	X	O	O	O	O	O	O	O	O	O
Panel	X	O	O	O	O	O	O	O	O	O
Enclosure	O	O	O	O	O	O	O	O	O	O
External signal connectors and wires	X	O	O	O	O	O	O	O	O	O

This table is prepared in accordance with SJ/T 11364.

○: Indicate that the content of this hazardous substance in all homogeneous materials of this component is below the limit requirement specified in GB/T 26572.

×: Indicate that the content of this hazardous substance in at least one homogeneous material of this component exceeds the limit requirement specified in GB/T 26572.



## Maintenance and cleaning

- Before lifting or repositioning the monitor, it is better to disconnect the cable and the power cord. Lift the monitor in the correct lifting manner. When lifting or moving the monitor, grasp the edges of the monitor. Do not lift the monitor via the base or the cable.
- Cleaning. Turn off the monitor and unplug the power cord. Clean the monitor surface with a linen-free and non-abrasive cloth. Dip the cloth in neutral detergent and wipe off stubborn stains.
- Do not use detergents containing alcohol or acetone. Use a special detergent for LCD. Do not spray the detergent directly on the screen, otherwise the detergent may seep into the monitor and cause electric shock.



The crossed-out wheeled bin symbol indicates that the product (electronic and electrical equipment, and mercury-containing button batteries) shall not be disposed of as regular household waste. Please familiarize yourself with local regulations regarding the disposal of electronic products.

## AEEE yönetmeli ğine uygundur

The following phenomena are normal for the monitor:

- Due to the inherent characteristics of fluorescent lamps, the screen may flicker during initial use. Turn off the power switch, then turn it on again to confirm the flashing has stopped.
- You may find that the brightness on the screen is slightly uneven, which is related to the desktop pattern you use.
- After the same image is displayed for several hours, the image displayed on the previous screen may remain when switching to another image. The screen will recover slowly, or you can turn off the power switch for several hours.
- When the screen turns blank or flashes, or fails to work, please contact the dealer or service center for repair. Don't repair the screen yourself!

## Conventions used in this manual



**Warning:** This information is intended to prevent you from getting hurt when you are trying to complete a task.



**Caution:** This information is intended to prevent components from being damaged when you are trying to complete a task.



**Important:** You must follow this information when completing a task.



**Note:** These tips and additional information are designed to help you complete a task.

## More information

For more information or product and software updates, please use the following resources.

**1. ASUS website**

The ASUS global website provides updated information about ASUS hardware and software products, and the address is <http://www.asus.com>

**2. Optional documents**

Your dealer may have added optional documents to your product packaging. These documents are not part of the standard product packaging.

**3. About flashing:**

[https://www.asus.com/Microsite/display/eye\\_care\\_technology/](https://www.asus.com/Microsite/display/eye_care_technology/)

**4. About low blue light:**

<https://www.asus.com/us/support/FAQ/1009742/>

## Recycling Service

ASUS recycling and recovery plan stems from our commitment to the highest standards of environmental protection. We advocate providing customers with solutions through which the products, batteries and other components and packaging materials can be reliably recycled.

Please visit <http://csr.asus.com/english/Takeback.htm>, to learn more about recycling in different regions.

## Product EU Energy Label Information



XG129C

## 1.1 Thank you for using!

Thank you for purchasing an *ASUS*<sup>®</sup> Gaming LCD Monitor!

This is *ASUS*'s latest widescreen LCD monitor, offering not only a more vibrant, wider, and brighter display, but also enriching your viewing experience with a range of useful features.

With these features, this monitor delivers a convenient and enjoyable visual experience!

## 1.2 List of Items

Check whether the following items are included in the packaging:

- ✓ LCD Monitor
- ✓ Monitor Support
- ✓ Quick Start Guide
- ✓ Warranty card
- ✓ Adapter
- ✓ *USB Type-C* cable
- ✓ *HDMI* cable



- If any of the above items are damaged or missing, please contact the dealer immediately.
-

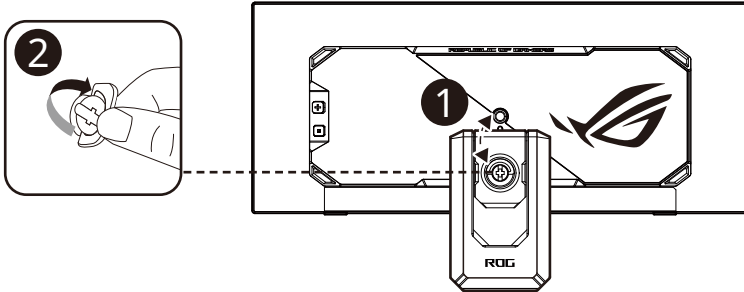
## 1.3 Assembling Monitors

### Assembling Monitors:

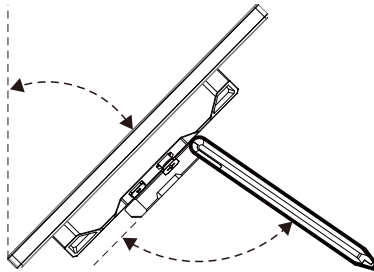


- When installing the monitor support, we recommend placing the monitor on its EPE bag packaging.

1. Place the monitor on a cloth-covered surface, then gently attach the support to the mounting area and ensure the locking pin secures the support in place. You can easily tighten the screws with your fingers.
2. Adjust the monitor to the most comfortable viewing angle.

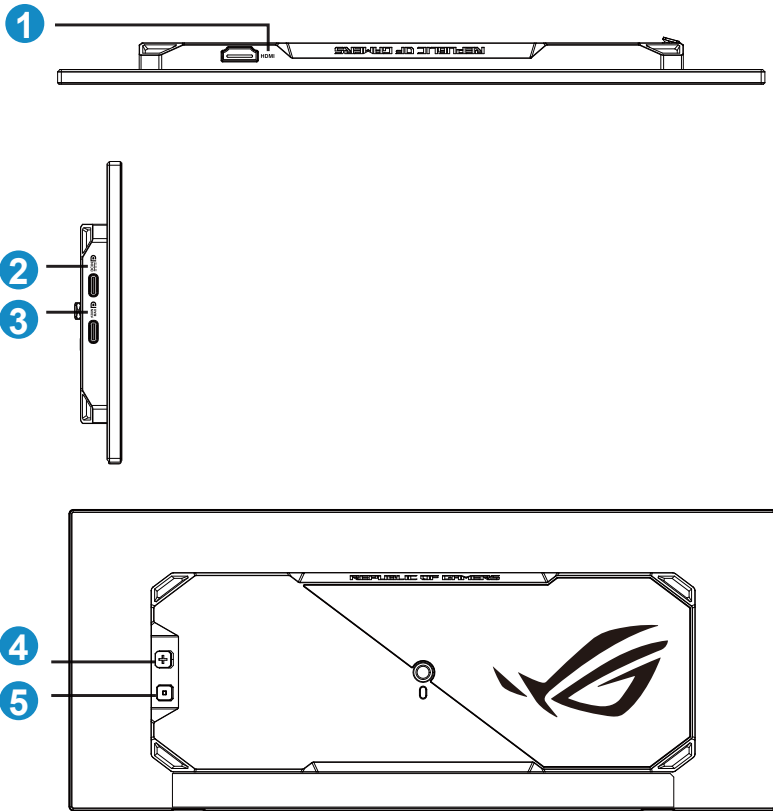


3



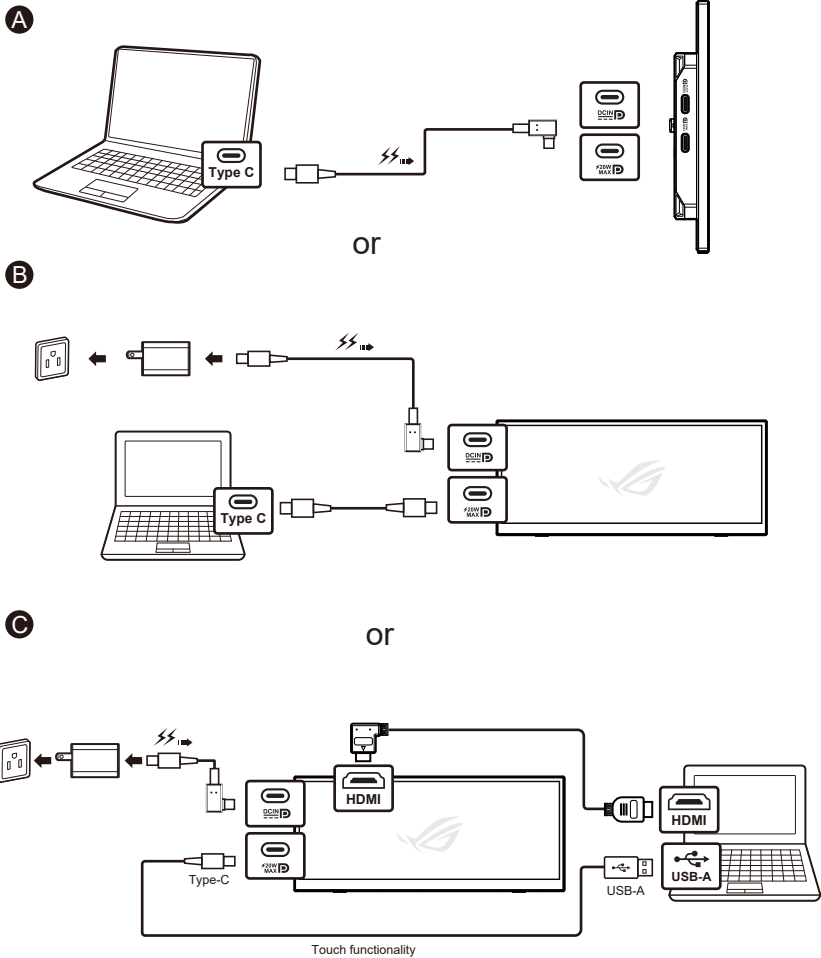
## 1.4 Connecting Cables

### 1.4.1 Rear of LCD monitors



1. *HDMI* Port
2. Type C port (*DC IN* mode, support *DP Alt* mode)
3. Type C port (*PD 20W*, support *DP Alt* mode)
4. 5-way navigation key
5. Power button

## 1.4.2 Connecting USB Monitor and System



### For Charging Use:

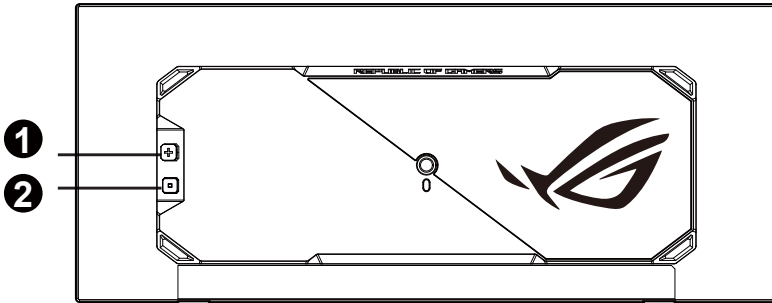
- You can use a PD adapter for charging. A  $\geq 30W$  PD adapter is recommended.
- If you encounter any abnormal charging conditions, please check whether the power capacity of the adapter connected to the XG129C is sufficient to charge both the XG129C and other devices simultaneously.

Please ensure that the connected host system supports USB Type-C "DisplayPort™ Alt Mode" and that both ends of the USB Type-C cable are correctly connected to the USB monitor and the host system.

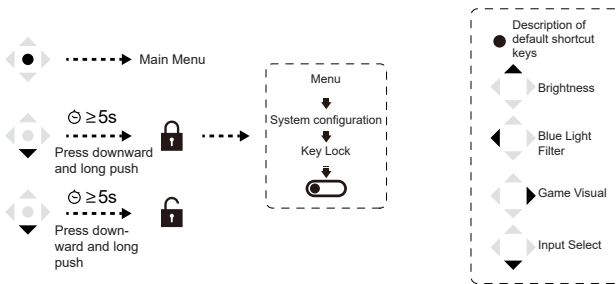
# 1.5 Brief Introduction of Monitor

## 1.5.1 Using Control Buttons

Use the control buttons on the rear of the monitor to adjust the monitor settings.



- 1. Five-way navigation key
  - Increase/decrease values or navigate up/down/left/right.
  - Enable the default shortcut function menu.

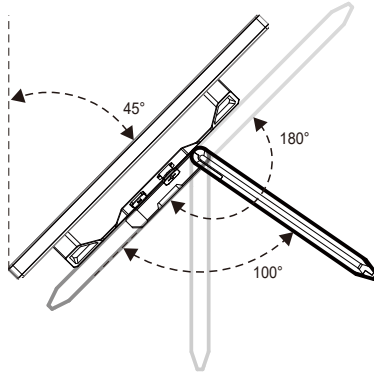


- 2. Power button
  - Press this key to turn the monitor on/off.
  - The following table describes the color indications of Power Indicator.

Status	Introduction
White	Start
Orange	Standby mode
Close	Close

## 2.1 Adjusting the Monitor

- For an optimal viewing experience, we recommend that you face the monitor directly and adjust it to the angle you find most comfortable.
- When adjusting the tilt, always hold the base to prevent the monitor from falling.
- Adjust the monitor as shown in the figure below to the most suitable viewing angle.



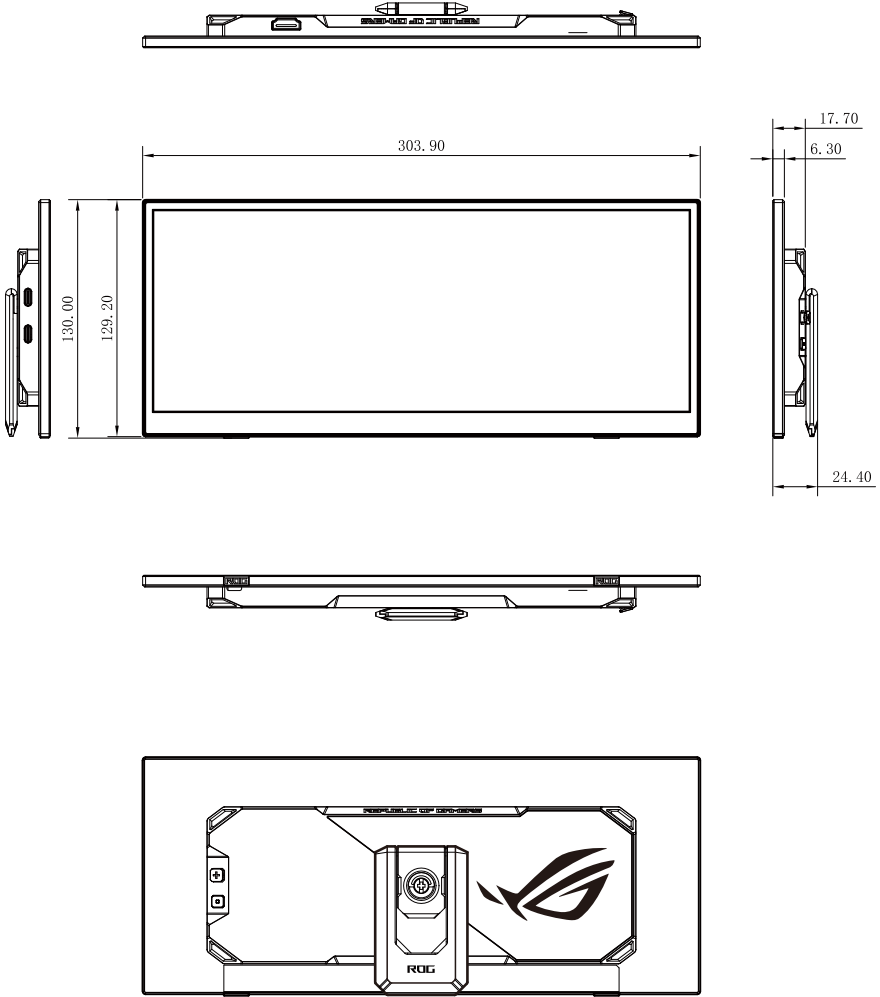
---

The monitor may experience slight flickering when adjusting the viewing angle, which is normal.

---

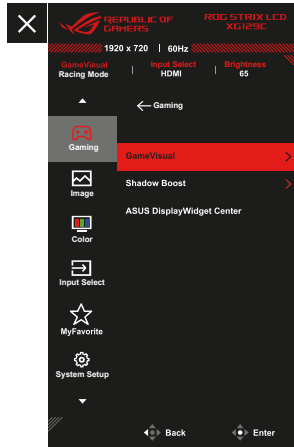
## 2.2 Outline Dimensions

Unit: mm [inch]



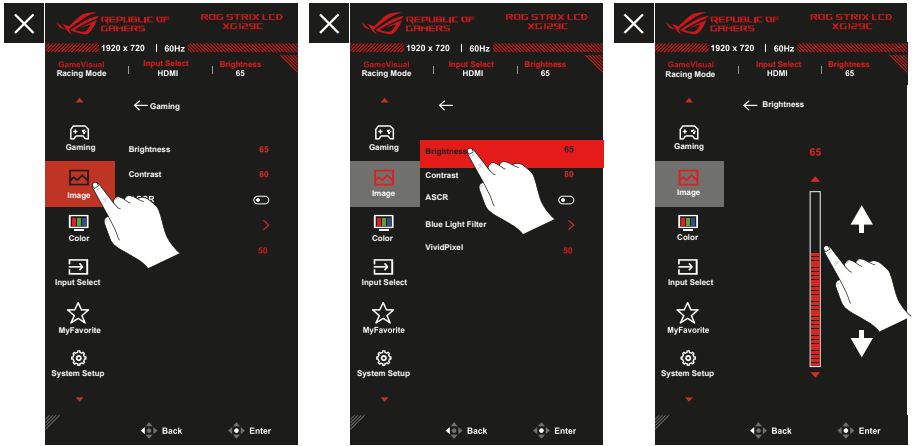
## 3.1 OSD (On-Screen Display) Menu

### 3.1.1 How to Reconfigure



#### 3.1.1.1 Description of key operation:

1. Press the Menu button to display the OSD menu.
2. Press the ▼ and ▲ buttons to navigate through the options in the menu. As you move from one icon to another, the option name is highlighted.
3. To select a highlighted menu item, press the center button.
4. Press the ▼ and ▲ buttons to select the desired parameter.
5. Press the center button to enter the slider, then use the ▼ or ▲ button (as indicated in the menu) to adjust the value.
6. Press ◀/▶ to move the menu leftward/rightward.



### 3.1.1.2 Operation description of touch osd:

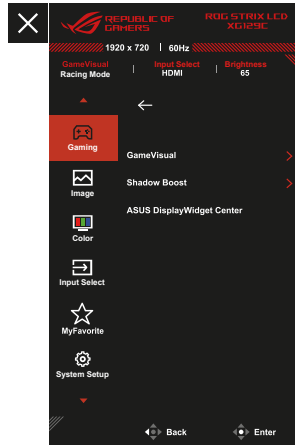
This model supports touch operation.

1. After the OSD is activated to display by pressing the key, you can operate the settings displayed in each menu section by means of touch controls, equivalent to navigating menu options with buttons.

(For example: The brightness scroll bar can be pulled up or down by touching and dragging the scroll bar up or down to adjust the brightness of the monitor.)

## 3.1.2 Introduction to OSD Functions

### 1. Game



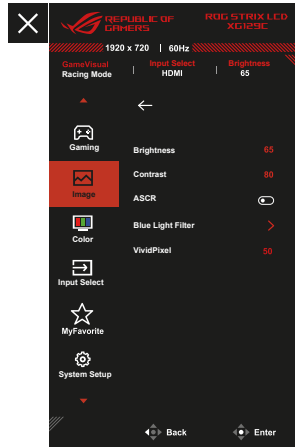
- **GameVisual:** This function contains 9 sub-functions, which you can choose according to your needs.
- **Shadow Boost:** Dark color enhancement adjusts the monitor's gray coefficient curve to enrich dark hue in images, making dark scenes and objects to identify more easily.
- **ASUS DisplayWidget Center:** *DisplayWidget Center* is powerful monitor management software designed to help you maximize your monitor's features and optimize and customize its settings. Please scan the QR code to visit the website for more information.



- In *sRGB* mode, users cannot adjust functions such as saturation, Color Temp., and contrast.
- In *MOBA* mode, users cannot configure functions such as Saturation, *VividPixel* and *Shadow Boost*.

## 2. Image

- You can adjust brightness, contrast, VividPixel, ASCR, and blue light filter in this main function.



- Brightness:** It can be adjusted from 0 to 100.
- Contrast:** It can be adjusted from 0 to 100.
- ASCR:** Select Enable or Disable to enable or disable the dynamic contrast feature.
- Blue light filter:** adjust the energy level of blue light filter from *LED* backlight.
- VividPixel:** *ASUS* exclusive technology, delivering a vivid visual experience, and showcasing sharp detail effects. It can be adjusted from 0 to 100.



- When the blue light filter is on, the default settings of Racing Mode are automatically imported.
- Users can configure the brightness function between Level 1 and Level 3.
- This monitor utilizes a low blue light panel and meets the *TÜV Rheinland* Low Blue Light Software Solution standard in its factory reset/default settings mode.



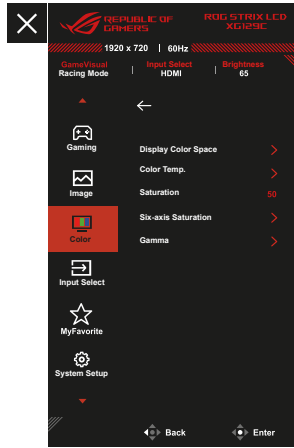
---

Please refer to the following instructions to alleviate eye fatigue:

- After working for a long time, the user shall stop staring at the monitor for a period of time. It is recommended to take a break (at least 5 minutes) after working continuously on the laptop for 1 hour. Frequent short breaks are more effective than a single long break.
  - In order to minimize eye fatigue and dryness, the user shall rest his/her eyes regularly and stare at distant scenery for a while.
  - Eye exercises help to alleviate eye fatigue. The user shall do eye exercises often. If the eye fatigue continues, please consult a doctor. Eye exercises: (1) Look up and down repeatedly (2) Turn the eyeball slowly (3) Move the eyeball obliquely.
  - High-energy blue light can easily lead to eye fatigue and *AMD* (age-related macular degeneration). Blue Light filter can reduce harmful Blue Light by 70% (at most), thus avoiding *CVS* (Computer Vision Syndrome).
-

### 3. Color

With this function, you can select your favorite image color.



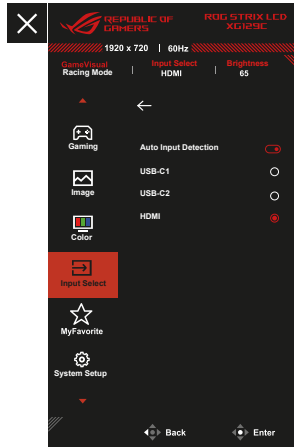
- **Display Color Space:** Including 3 preset color modes: sRGB, DCI-P3 and wide color gamut mode
- **Color Temp.:** Including 7 preset color modes (4000K, 5000K, 6500K, 7500K, 8200K, 9300K, 10000K) and user mode.
- **Saturation:** It can be adjusted from 0 to 100.
- **Six-axis Saturation:** setting up R/G/B/C/M/Y saturation .It can be adjusted from 0 to 100.
- **Gamma:** including 5 gray coefficient modes: 1.8, 2.0, 2.2, 2.4, 2.6.



- 
- In User mode, the user can configure *R* (Red), *G* (Green) and *B* (Blue), with an adjustment range of 0 ~ 100.
-

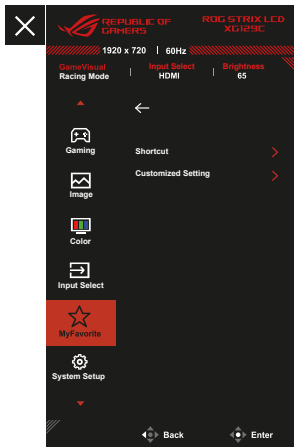
#### 4. Input Select

Select input source: Auto Input Detection, USB-C1, USB-C2, and HDMI.



#### 5. MyFavorite

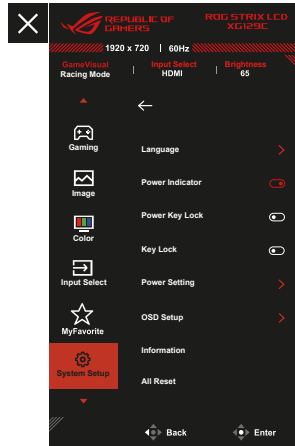
Users can adjust shortcuts and customize settings through this main function.



- **Shortcuts:** Users can select “GameVisual, Brightness, Shadow Boost, Contrast, Input Selection, Blue Light Filter, Color Temperature, Customized Setting-1, Customized Setting-2”, and set them to shortcut keys.
- **Customized Settings:** You can configure the settings according to your preferences.

## 6. System Setup

Adjust the system configuration.



- **Language:** Select *OSD* language. Options include: **English, Français, Deutsch, Español, Italiano, Nederlands, Русский, Polski, Čeština, Hrvatski, Magyar, Română, Português, Türkçe, 简体中文, 繁體中文, 日本語, 한국어, سی‌س‌راف, ไทย, Bahasa Indonesia, Українська, Tiếng Việt.**
- **Power Indicator:** Turn on/off the power LED indicator.
- **Power Key Lock:** Disable/Enable the power key.
- **Key Lock:** Disable all key functions. Press and hold the Down key for more than five seconds to disable the Key Lock function.
- **Power Setting:** You can select "Performance Mode" or "**Power Saving Mode**".
- **OSD Setup:** Adjust **menu position, menu time, transparency** and **DDC/CI** of *OSD* image.
- **Information:** Display information about the monitor.
- **All Reset:** When "**Yes**" is selected, all settings will be restored to factory default mode.



- After enabling "Auto Input Detection", if the source device is turned off, the monitor will not switch to "*DC Off*" mode.

## 3.2 Specification

<b>Model</b>	<b>XG129C</b>
<b>Panel Dimension</b>	12.3" diagonal / 31.242 cm
<b>Resolution @ Refresh Rate</b>	1920 x 720 @ 75Hz
<b>Brightness</b>	300 nits (Typ.)
<b>Inherent contrast (typical)</b>	1200:1 (Typ.)
<b>Angle of view (CR&gt;10)</b>	176 Horizontal (Typ.) / 176 Vertical (Typ.)
<b>Display color number</b>	16.7M (8bit)
<b>Response time</b>	22ms (Typ.)
<b>Touch specifications</b>	Support ten-finger touch
<b>HDMI input</b>	YES
<b>Type-C input</b>	Yes (support PD mode)
<b>Digital signal frequency</b>	<i>HDMI 30Khz to 57 KHz(H) / 50Hz to 75Hz(V) TYPE-C: 30Khz to 57 KHz(H) / 50Hz to 75Hz(V)</i>
<b>Power consumption</b>	Power-on 4.2 W (Typ.)*
<b>Enclosure Color</b>	Eclipse ash
<b>Power Saving Mode</b>	< 0.5 W
<b>Off mode</b>	< 0.3 W
<b>False slope angle suggested</b>	0° ~ + 45°
<b>Support opening angle</b>	0° ~ +180°
<b>Physical dimensions, including base (WxHxD)</b>	303.90 x 130.00 x 24.40 mm
<b>Physical dimensions, excluding base (WxHxD)</b>	303.90 x 130.00 x 17.70 mm
<b>Packaging dimensions (WxHxD)</b>	380 x 73 x 197 mm
<b>Net Weight (est.)</b>	0.56 kg
<b>Net weight, excluding base</b>	0.51 kg
<b>Gross weight (estimate)</b>	1.22 kg
<b>Rated voltage</b>	100~240V, 50/60Hz
<b>Temperature (during operation)</b>	0°C ~ 40°C
<b>Compliance and standard</b>	cTUVus, CB, CE, ErP, FCC, ICES-003, CCC, BSMI, CU, RCM, VCCI, J-MOSS, RoHS, WEEE, Windows 10/11 WHQL, KC SDOC, KCC, E-STANDBY, UkrSEPRO, Ukraine Energy, AU MEPS, VN MEPS, TÜV flicker-free standard, TÜV low blue light standard, ISTA-6A, HDMI, PC Recycle

\* Specifications are subject to change without prior notice.

\* The power consumption of 4.2W for startup is measured via the HDMI port with the brightness set to the default value.

### 3.3 Troubleshooting (FAQs)

Problems	Possible Solutions
The power LED does not light up	<ul style="list-style-type: none"> <li>• Press <b>⏻</b> button to check whether the monitor is in Turn On mode.</li> <li>• Check whether the power cord is correctly connected to both the monitor and the power socket.</li> <li>• Check the power indicator function in the <i>OSD</i> main menu. Select "Enable" to turn on the power <i>LED</i>.</li> </ul>
Power LED lights up in yellow, with no image displayed on the screen	<ul style="list-style-type: none"> <li>• Check whether both the monitor and the laptop are in power-on mode.</li> <li>• Make sure the signal line is properly connected to the monitor and computer.</li> <li>• Check the signal cable to ensure there are no bent pins.</li> <li>• Connect the laptop to a working monitor and check whether the laptop is working properly.</li> </ul>
The screen image is too bright or too dark	<ul style="list-style-type: none"> <li>• Adjust the contrast and the brightness through <i>OSD</i>.</li> </ul>
The screen image jitters or ripple patterns appear in the image	<ul style="list-style-type: none"> <li>• Make sure that the signal line is properly connected to the monitor and the computer.</li> <li>• Remove the electronic device that may cause electronic interference.</li> </ul>
The screen image colors are incorrect (white does not appear white).	<ul style="list-style-type: none"> <li>• Check the signal cable to ensure there are no bent pins.</li> <li>• Conduct Reset through <i>OSD</i>.</li> <li>• Adjust the red/green/blue color settings or select the color temperature through <i>OSD</i>.</li> </ul>
No sound or too low sound	<ul style="list-style-type: none"> <li>• Adjust the volume settings of the monitor and the computer.</li> <li>• Make sure the computer's sound card driver has been correctly installed and enabled.</li> <li>• Check the audio source.</li> </ul>

### 3.4 List of Supported Clock

#### Main Clock supported

Clock	Resolution	HDMI	Type-C
PC Clock	640x480-60Hz	✓	✓
PC Clock	800x600-60Hz	✓	✓
PC Clock	1280x720-60Hz	✓	✓
PC Clock	1920x720-60Hz	✓	✓
PC Clock	1920x720-75Hz	✓	✓
Video Clock	640x480-60Hz	✓	✓
Video Clock	720x480-60Hz	✓	✓
Video Clock	1280x720-60Hz	✓	✓

\* Modes not listed in the above table may not be supported. For optimal resolution, we recommend that you select a mode listed in the table above.