
Enjoy greater kitchen design freedom

Enjoy the multiple benefits of an induction hob that fits a 60cm cabinet with a built-in extractor for optimal airflow. The 600 Bridge Extractor Hob also has a Bridge function, allowing you to combine 2 cooking zones into one larger area.

Product Benefits & Features

Enjoy more kitchen planning freedom with integrated extractor

Kitchen Planning Freedom: Combine the speed, power and efficiency of an induction hob with integrated extraction to reduce placement restrictions on the hob.


Subtle and smooth. With elegance that lasts

With a smooth, matt black surface, SaphirMatt® SE hobs offer lasting elegance. The design complements any kitchen and continues to look new longer, with up to 3X more scratch resistance than a standard hob surface.*

*Based on abrasion tests conducted by external Swiss laboratory in accordance with international standard IEC 60068-2-70. Scratch visibility is assessed internally in comparison to our standard ceramic glass hobs without special treatment or coating.


Easily set the right power level with one touch control slider

Fast, easy, and precise control of all nine-level cooking zones with the Direct Touch Single Slider. With the Precise Heat function, you can always set the perfect power level, down to a half level, for whatever you're cooking.


Enjoy a fresher kitchen atmosphere with less cooking odour

The included OdourClean Standard Carbon filter reduces kitchen odours. Easily replaced to keep your kitchen air fresh. Can also be replaced with the OdourClean Plus filter.*

*The stated lifespan is an estimate based on internal testing. Performance may vary depending on individual usage patterns and conditions; actual lifespan may be shorter or longer.


Automatic Extractor Control – adjusts as you cook

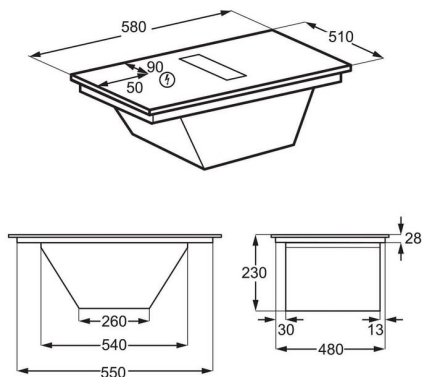
Automatic Extractor Control allows the hob to automatically switch on and regulate your hood according to your cooking activities, keeping your kitchen fresh while you focus on the food.

- Booster function
- Child safety lock function
- Hob²Hood funktion
- Timer function
- Pause function
- Automatic safety switch off
- Indicator for grease filter saturation
- Indicator for carbon filter saturation
- Charcoal filter included

Product Specification

Nordic_HB_FrameType_Colour	Frameless Square	Right Front - Power, W / Diam., mm-2nd Gen	1400/2500W/145mm
Dimensions WxD in mm	580x510	Right Rear - Power, W / Diam., mm-2nd Gen	1800/2800W/180mm
BI dimensions HxWxD in mm	225x560x490	Motor type	Brushless
Build in type	Integrated and on top	Extractor speeds	3+Intensive
Air outlet, mm	220	Cord length, m	1.5
Filter Type	Odour Clean Carbon Filter	Total electricity loading	7350
Grease filter, n° of	2	Volt, V	220-240/400V2N
OdourClean Standard Carbon filter	Included	Product Number Code	949 599 564
Radius cutting, mm	5/10 integrated	Bar code	7333394139876
LED colour	Red		
NO_combohob_Techspec_POT_signal	POT-signal		
Nordic_CH_BreezeFunction	Yes		
Nordic_CH_Cap_MinMaxInt_SecGen	250/520/630		
Nordic_CH_Recirc_MinMaxInt_SecGen	240/490/590		
Nordic_CH_Noise_MinMaxInt_SecGen	50/66/69		
Nordic_CH_Noise_Recirc_MinMax_SecGen	52/68		
Energy efficiency class Hood	A+		
Fluid dynamic efficiency class	A		
Grease filter efficiency class	B		
Left Front - Power, W / Diam., mm,-2nd Gen	2300/3200W/210mm		
Left Rear - Power, W / Diam., mm-2nd Gen	2300/3200W/210mm		

2507041XFV



251105OW6Q

