



### Great results in half the time

The 6000 CombiQuick® CombiOven uses hot air circulation with microwave technology to provide cooking in half the time without sacrificing flavour. You can also grill, roast and bake – all in one.

## Product Benefits & Features

### Microwave with Hot Air. For better and faster heating



Microwave with Hot Air provides dual functions – microwave and convection cooking, which merges hot air circulation and advanced microwave technology with turntable so your food is cooked faster and more evenly.

### EXPlore. Easy access to your oven's functions



EXPlore allows you to effortlessly control the settings of your oven to know what's happening with your cooking. With the LED display and WiFi connectivity, you can easily see the time, temperature and progress of your dish.

### Assisted Cooking. Extra help when cooking

The AssistedCooking function gives you intuitive access to a range of dishes where the oven adjusts automatically. Or the time and temperature can be fully controlled by you.

### Get connected. And change the way you cook



Connectivity lets you control your oven from anywhere with our app. Get tips and improve cooking techniques with app-controlled functions at your fingertips.

### Cooked Evenly everywhere



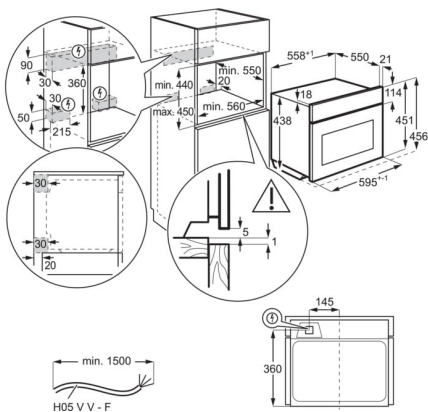
The clever Hot Air convection system ensures hot air circulates evenly throughout the oven cavity, for a cooking process that is faster, and more energy efficient.

- Oven with integrated microwave function
- Touch control
- Fast oven heat up function
- Electronic temperature regulation
- VarioGuide
- Automatic temperature proposal
- Automatic safety switch off oven function
- Residual heat indication
- FloodLight™
- Cooling fan
- Child Lock safety function for control panel
- Door lock
- ISOFRONT® TOP cool oven door
- Accessories included: 1 Cake tray grey enamel, 1 Wire shelf chromed

## Product Specification

Main colour	Black
Cleaning main oven	Clean Enamel
Bottom - Top Oven	Grey Enamel
Volume usable, l Main Oven	44
Dimensions HxWxD in mm	455x595x567
BI dimensions HxWxD in mm	450x560x550
Largest surface area, cm <sup>2</sup>	1424
Temperature range	30°C - 230°C
Door surface temp. max., K (acc. to EN30 or 60335-1)	20
Nordic_OV_GridRunners	EasyEntry runners
Microwave output power, W	1000
SE_Oven_Timercolor	White
Grill element power, W	1900
Cord length, m	1.5
Total electricity loading, W	3000
Required fuse (A)	16
Product Number Code	944 005 342
Bar code	7333394144658

PSGBOV230DE00001



PSGBOV230DE00002

