

# iQ300, telescopic cooker hood, 90 cm, Silver metallic LI97RB531



## Optional accessories

LZ49561 Handle strip black, LZ49601 Lowering frame, LZ49850 Handle strip, LZ45610 Standard odor filter (replacement), LZ45650 Standard recirculation kit, LZ49200 Installation kit for 90cm wide wall unit, LZ49521 Handle strip white, LZ49551 Handle strip, HZG9AS00S Adapter, LZ10ITP00 Long Life odor filter (replacement), LZ11ITD11 Long Life recirculation kit external, LZ11IXB16 Clean Air Plus odor filter (replacement), LZ11IXC16 Clean Air Plus recirc. kit external, LZ12ITB14 Clean Air Standard odor filter (repl.), LZ12ITI14 Clean Air Standard recirculation kit

The powerful telescopic cooker hood practically disappears into the upper cabinet.

- ✓ iQdrive motor - The quiet, high-performance motor ensures efficient removal of odours and steam.
- ✓ LED light: Optimal visibility and atmosphere when cooking.
- ✓ Pleasantly quiet - motor.
- ✓ Intensive setting with automatic after revert setting
- ✓ Design handles: Personalize your hood, blend functionality with style.

## Features

### Technical Data

Typology: ..... Pull-out  
 Length electrical supply cord: ..... 175 cm  
 Required niche size for installation (HxWxD): ..... 385mm x 524.0mm x 290mm mm  
 Net weight: ..... 12.2 kg  
 Type of control: ..... Electronic  
 Maximum output air extraction: ..... 397 m<sup>3</sup>/h  
 Boost position output recirculating: ..... 628 m<sup>3</sup>/h  
 Maximum output recirculating air: ..... 358 m<sup>3</sup>/h  
 Boost position air extraction: ..... 729 m<sup>3</sup>/h  
 Number of lights: ..... 3  
 Noise level: ..... 53 dB(A) re 1pW  
 Diameter of air outlet: ..... 120 / 150 mm  
 Grease filter material: ..... Washable stainless steel  
 Odour filter: ..... No  
 Optional accessories: ..... LZ49561, LZ49601, LZ49850, LZ45610, LZ45650, LZ49200, LZ49521, LZ49551, HZG9AS00S, LZ10ITP00, LZ11ITD11, LZ11IXB16, LZ11IXC16, LZ12ITB14, LZ12ITI14  
 Type of lamps used: ..... LED  
 Total power of the lamps: ..... 6 W  
 Grease filter type: ..... Kasette  
 Clean filter reminders: ..... No  
 Connection rating: ..... 146 W  
 Fuse protection: ..... 10 A  
 Voltage: ..... 220-240 V  
 Frequency: ..... 50; 60 Hz  
 Installation typology: ..... Built-in  
 Material body: ..... zinc plated  
 Dimensions of the product, with chimney (if exists) (in): ..... x x  
 Dimensions of the packed product: ..... 15.74 x 37.00 x 19.29  
 Net weight: ..... 27.000 lbs  
 Gross weight: ..... 33.000 lbs  
 Motor location: ..... Integrated motor in hood body  
 No-return airflow flap: ..... Yes  
 Length electrical supply cord: ..... 175 cm  
 Dimensions of the product, with chimney (if exists): ..426 x 898.0 x 290.0 mm  
 Dimensions of the packed product (HxWxD): ... 400 x 940 x 490 mm  
 Net weight: ..... 12.2 kg  
 Gross weight: ..... 15.1 kg



## iQ300, telescopic cooker hood, 90 cm, Silver metallic LI97RB531

### Features

#### Variant

- 90 cm wide
- metallic silver
- Cupboard 60 or 90 cm, Type of appliance width: 90 cm
- Suitable for ducted or re-circulated extraction
- For recirculated extraction recirculating kit or CleanAir recirculating kit (accessory) needed

#### Comfort

- Push button controls with Electronic display
- Push button controls for extractor speeds and light
- 3 speeds plus intensive setting
- Automatic revert setting, 6 minutes
- Automatic 10 minutes after running

#### Features

- 3 x 1,5W LED

#### Performance

- Extraction rate exhaust air according to EN 61591 max. 397 m³/h
- Noise max. Normal Level: 53 dB
- With the Clean Air Plus recirculation kit (available as optional accessory) your appliances reaches:
- Extraction rate in recirculation mode:
- Max. normal use: 358m³/h
- Intensive: 628m³/h
- Noise level in recirculation mode:
- Max. normal use: 60dB(A) re 1 pW
- Intensive: 71 dB(A) re 1 pW
- Brushless motor for quiet and efficient operation

#### Planning and installation information

- Telescopic comfort installat.
- Dimensions (HxWxD): 426 x 898 x 290 mm
- built-in dimensions (HxWxD): 385 x 524 x 290 mm
- Diameter pipe Ø 150 mm (Ø 120 mm enclosed)
- with one-way flap
- Electrical cable lenght 1.75 m
- without handle strip

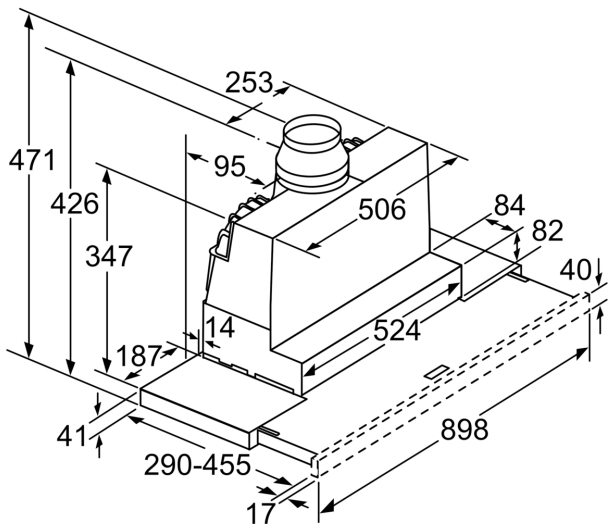
#### Consumption Data

- Energy Efficiency Class: A (at a range of energy efficiency classes from A++ to E)
- Average Energy Consumption: 38.1 kWh/year
- Blower Efficiency Class: B
- Lighting Efficiency Class: A
- Grease Filtering Efficiency Class: B
- Power rating: 146 W

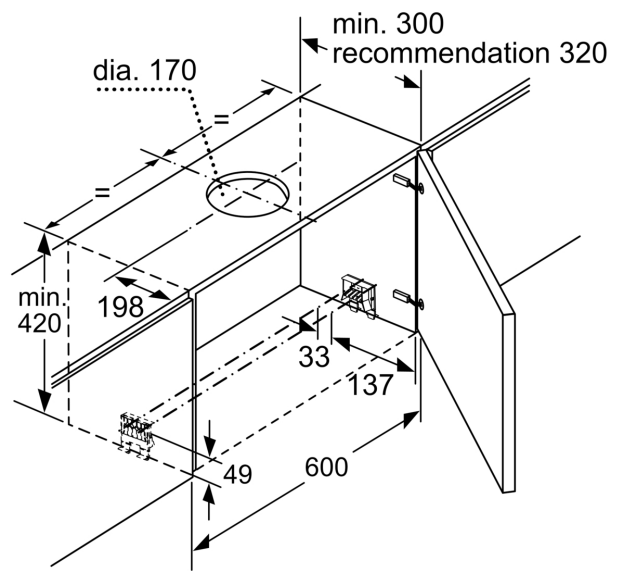
\* In accordance with the EU-Regulation No 65/2014

**iQ300, telescopic cooker hood, 90 cm, Silver metallic  
LI97RB531**

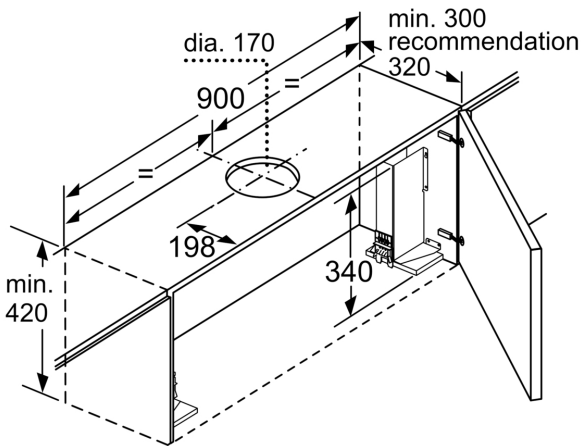
**Dimensioned drawings**



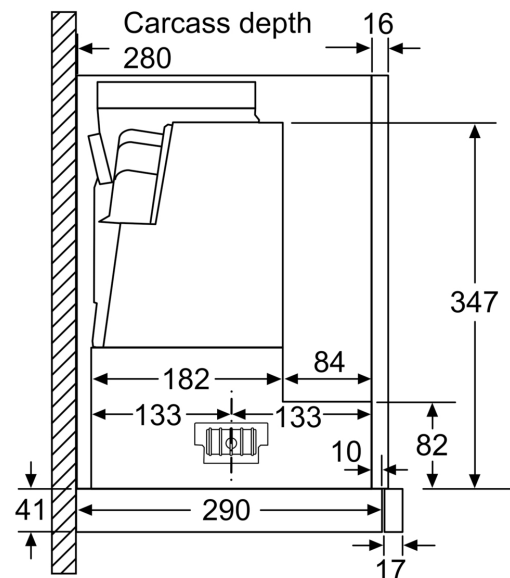
Depth of the filter drawer can be adjusted by up to 29 mm  
measurements in mm



measurements in mm



When installing the 90 cm telescopic hood in a 90 cm wide wall-hanging cupboard, a mounting kit is required. The two mounting brackets are screwed onto the left and right of the kitchen unit. Installation in accordance with template.  
measurements in mm



measurements in mm

Dimensioned drawings

