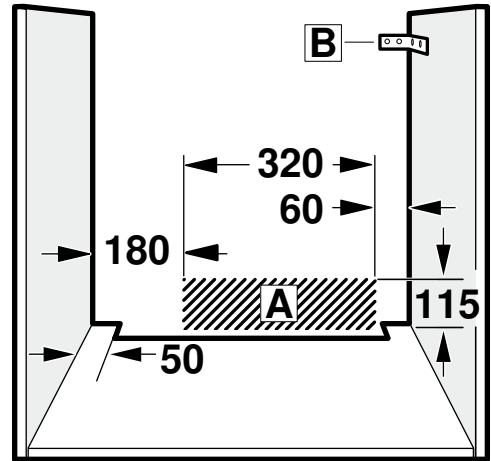
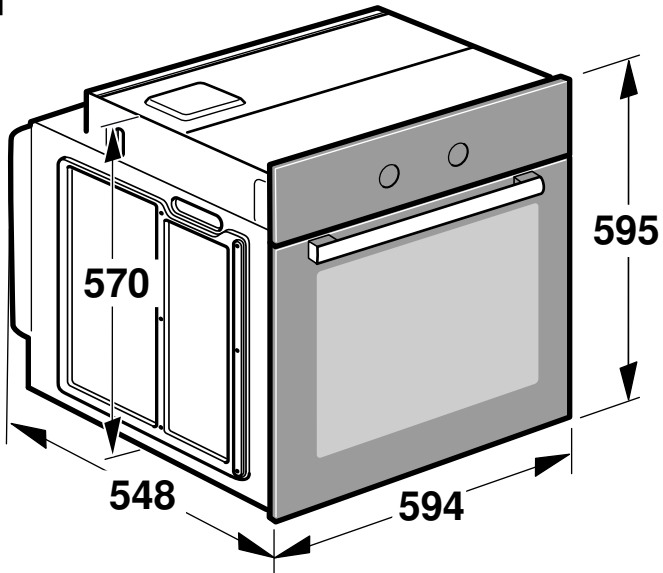




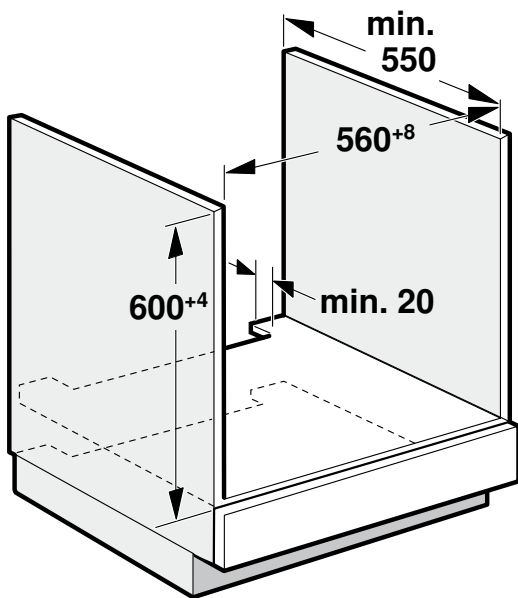
en Installation instructions



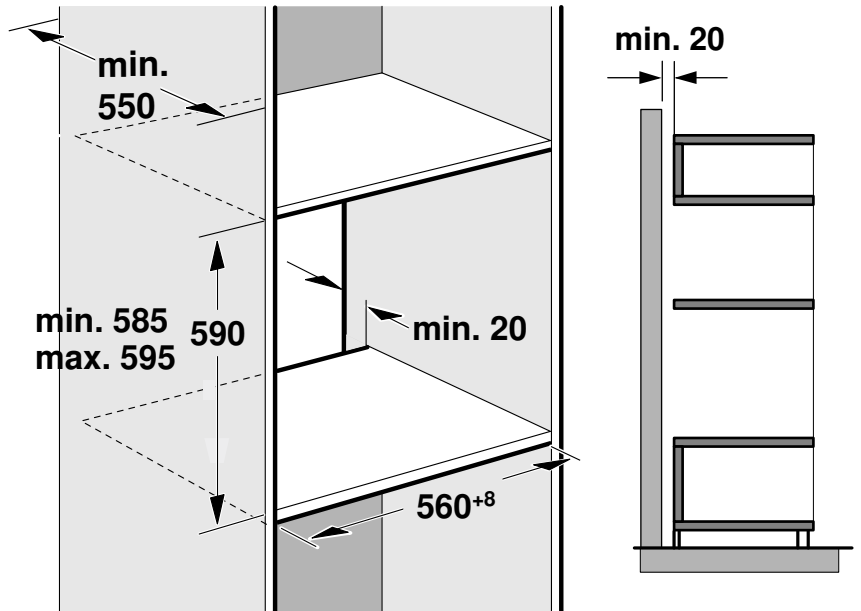
1



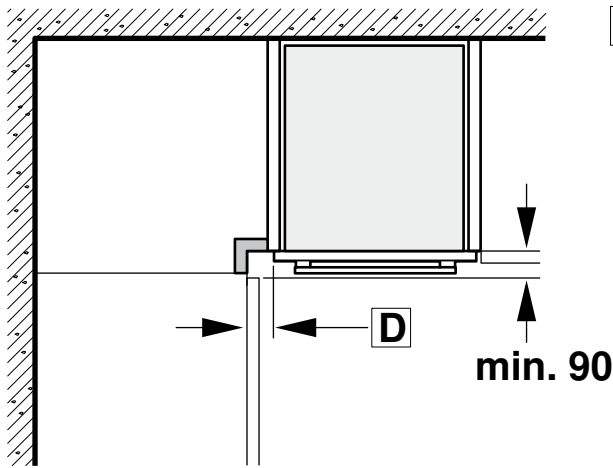
2



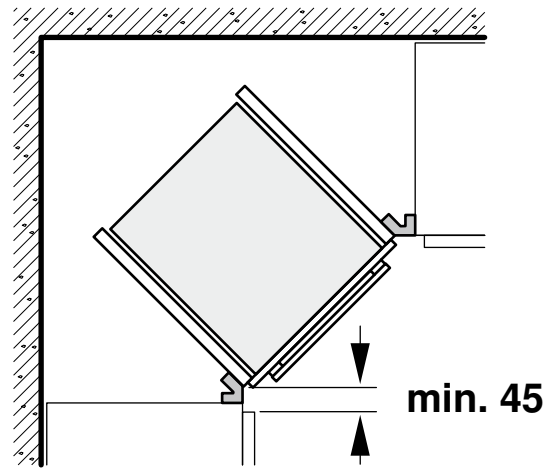
3



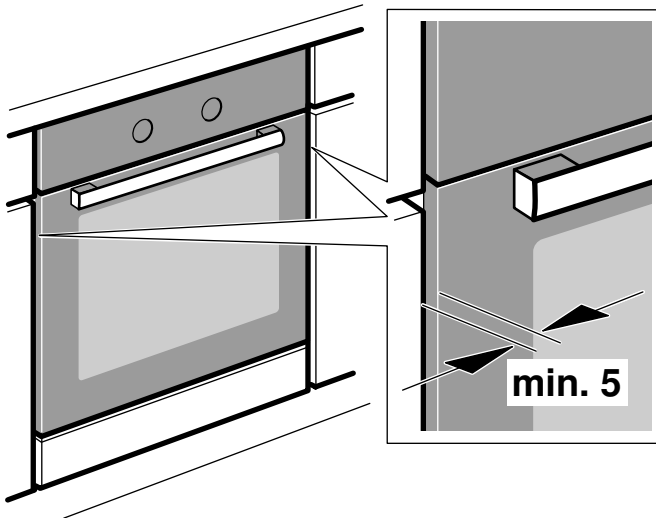
4



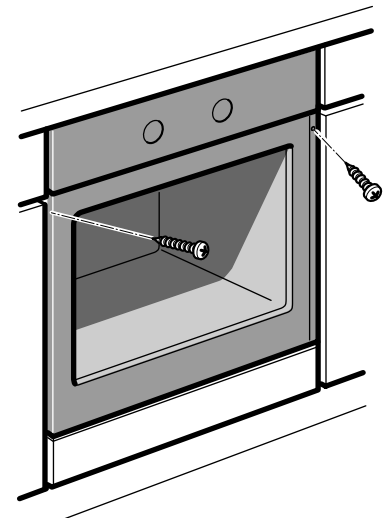
C



5



min. 5



en

Important information – Fig. 1

This appliance is intended for use up to a maximum height of 4000 metres above sea level.

Do not use the door handle to carry or install the appliance.

The appliance must be disconnected from the power supply during all installation work.

- The safe operation of this appliance can only be guaranteed if it has been installed to a professional standard in accordance with these installation instructions. The installer shall be liable for any damage resulting from incorrect installation.
- Check the appliance for damage after unpacking it. Do not connect the appliance if it has been damaged in transit.
- Proceed in accordance with the installation sheets for installing accessories.
- Before starting up the appliance, remove any packaging material and adhesive film from the cooking compartment and the door.
- Fitted units must be heat-resistant up to 90 °C, and adjacent unit fronts up to 70 °C.
- Do not install the appliance behind a decorative door or the door of a kitchen unit, as this may cause the appliance to overheat.
- Any cut-outs that need to be made in the units should be made before the appliance is installed. Remove any shavings, as they may prevent the electrical components from working properly.
- Wear protective gloves so that you do not cut yourself. Parts that are accessible during installation may have sharp edges.
- The mains socket for the appliance must either be located in the hatched area **A** or outside of the area where the appliance is installed.
- Secure any unsecured units to the wall using a standard bracket **B**.
- The dimensions in the figures are in mm.

Appliance under the worktop – Fig. 2

To ventilate the appliance, the intermediate floor must have a ventilation cut-out.

Secure the worktop to the fitted units.

Proceed in accordance with the installation instructions for the hob.

Appliance in a tall unit - Fig. 3

To ventilate the appliance, the intermediate floors must have a ventilation cut-out.

If the tall unit has another back panel in addition to the element back panels, this must be removed.

Only fit the appliance up to a height which allows accessories to be easily removed.

Corner installation – Fig. 4

To ensure that the appliance door can be opened in a corner installation, take account of dimension **C**. Dimension **D** is dependent on the thickness of the unit front under the handle.

Connecting the appliance to the power supply

- Before using the appliance for the first time, make sure that the domestic power line is equipped with a conductor which complies with the relevant safety regulations. The appliance must only be connected by a qualified electrician and must comply with the statutory and official provisions, as well as the provisions of the local network operator.
- In rare cases, failure of a conductor or an incorrect installation may cause material damage or serious injury (death or injury due to electric shock). The manufacturer accepts no responsibility for personal injuries or damage to the appliance due to faulty or incorrect electrical connection.
- During all installation work, the appliance must be disconnected from the power supply.
- The appliance fulfils the requirements of protection class I and may only be connected to an earthed mains socket.
- The mains connecting cable must be at least type H05 V V-F 3G, 1.5 mm².

The yellow-green conductor must be connected first and be slightly longer than the two other wires on the appliance side.

- In accordance with safety regulations, an all-pole separator with at least a 3 mm contact opening must be provided. A separator is not required during connection, which is carried out via an earthed power socket which is easily accessible at all times.
- Contact protection must be ensured during installation.
- Determine the phase conductor and neutral conductor (zero conductor) in the socket. The appliance may be damaged if incorrectly connected.
- The oven must be connected in accordance with the information on the rating plate.
- Place the appliance in front of the conversion cabinet to connect it. The service cable must be long enough.
Caution: During installation, ensure that the mains cable is not jammed and does not come into contact with hot appliance parts.
- All work on the appliance, including replacing the cabling, must only be carried out by technical support.

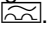
⚠ Danger of death!

There is a risk of electric shock if you touch live components.

- Always make sure your hands are dry when you touch or hold the mains plug.
- Only pull out the mains cable by taking hold of the plug and removing the plug; never pull it out by the mains cable itself, as this could damage it.
- Never unplug the mains plug when the appliance is in operation.

Please note the following information and ensure that:

Notes

- The mains plug fits the socket.
- The cable cross section is adequate.
- The earthing system is properly installed.
- The mains cable is only replaced by a qualified electrician (if this is necessary). Spare mains cables can be ordered from our after-sales service.
- No power strips/multi-way connectors or extension cables are used.
- If using a residual current device, only use one that bears the mark .
The presence of this mark is the only way to be sure that it fulfills all the applicable regulations.
- The mains plug can be accessed at all times.
- The mains cable is not kinked, crushed, modified or severed.
- The mains cable does not come into contact with heat sources.

Power cable with a plug with earthing contact

The appliance must only be connected to an earthing contact socket which has been correctly installed.

If the plug can no longer be reached after the installation, a partition must be provided in the phases in the permanent electrical installation in accordance with the installation regulations.

Power cable without a plug with earthing contact

Only allow a licensed professional to connect the appliance.

In the permanent electrical installation, a partition must be provided in the phases in accordance with the installation regulations. Identify the phase and neutral conductors in the socket. The appliance may be damaged if it is not connected correctly.

Only connect the hob according to the connection diagram. See the rating plate for the voltage. Connect the wires of the mains power cable according to the colour coding: Green/yellow = PE conductor (⊕), blue = neutral conductor, brown = live (external conductor).

Only in Sweden, Finland and Norway

The appliance can also be connected to the earthing contact system using the enclosed plug. This must be accessible after installation. If the plug can no longer be reached after the installation, a partition must be provided in the phases in the permanent electrical installation in accordance with the installation regulations.

Securing the appliance – Fig. 5

If your appliance has a pull-out carriage door, this must be removed beforehand.

1. Slide the appliance all the way in and centre it.
2. Screw the appliance into place.

The gap between the worktop and appliance must not be sealed by additional strips.

Thermal insulation strips must not be fitted to the side panels of the surround unit.

Removal

1. Disconnect the appliance from the power supply.
2. Undo the securing screws.
3. Lift the appliance slightly and then pull it out completely.



9001324920 300597

